

GRAVELY

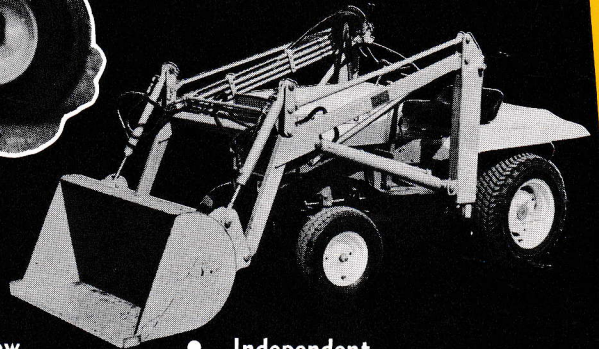
KWIK-WAY



KWIK-TACH . . . NEW TIME SAVER

(Money Maker)

The new, easy attachment feature of this loader has been simplified to enable the operator to mount or demount in minutes.



NO OTHER LOADER OF THIS KIND HAS SUCH OUTSTANDING FEATURES

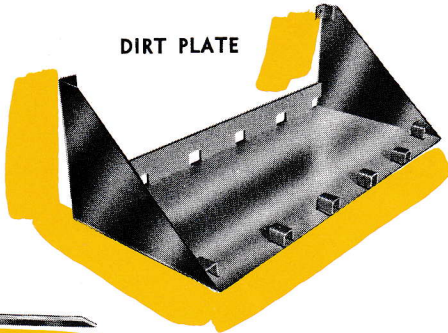
- Self Leveling
- Double Acting Cylinders with Chrome Plated Shafts
- Lifting Capacity 750 Pounds.
- Cutting Depth - Below Grade Level - Up to 5"
- Lifts Full Capacity Load to a Height of 7'
- Frame-Box Type Construction
- Independent Hydraulic System.
- Bucket Level Indicator
- Float Valve

Combination

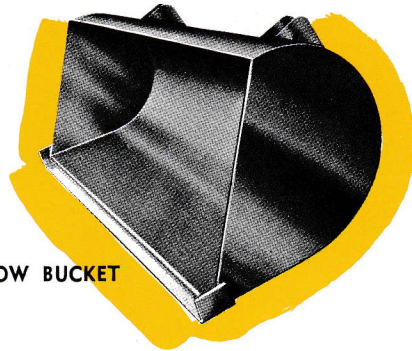
COMPACT TRACTOR • HYDRAULIC LOADER

WITH ANY OF THESE "MANSAVER" ATTACHMENTS KWIK-WAY AND GRAVELY FIND THEMSELVES IN AND AROUND MANY PROFESSIONS

DIRT PLATE



SNOW BUCKET



- FARMS
- FERTILIZER PLANTS
- RESIDENTIAL
- PARKS
- POULTRY FARMS
- CONTRACTORS
- MOTELS
- ELEVATORS
- NURSERIES
- INDUSTRIAL PLANTS
- FEED AND SEED STORES

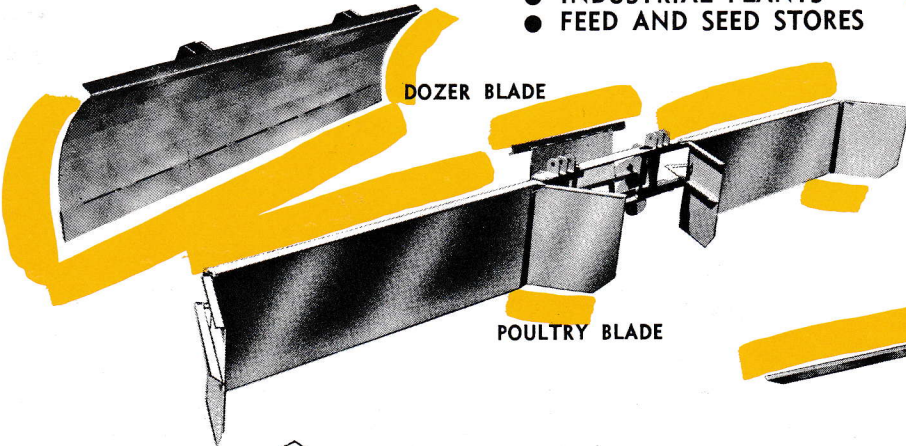
TINE FORK



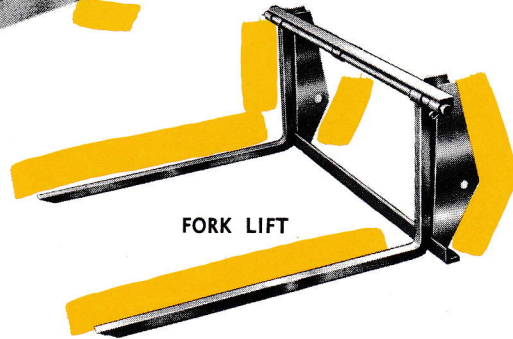
MATERIAL BUCKET



DOZER BLADE

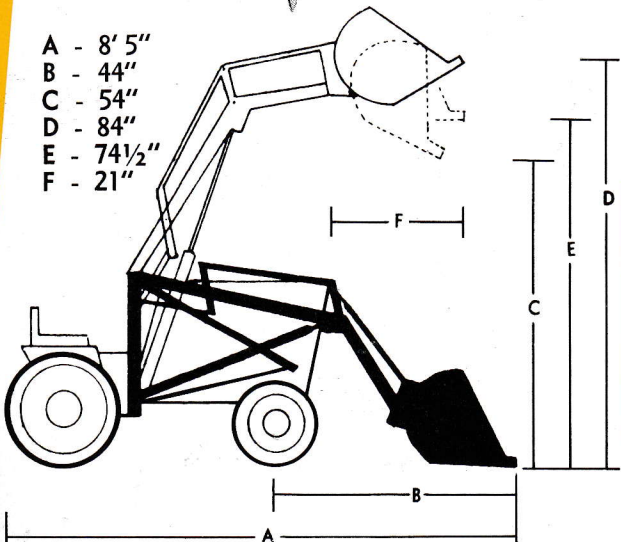


POULTRY BLADE



FORK LIFT

- A - 8' 5"
- B - 44"
- C - 54"
- D - 84"
- E - 74 1/2"
- F - 21"



Dimensions will vary slightly with tractor model.

MANUFACTURED WITH YOU AND YOUR COMPACT TRACTOR IN MIND BY:

kwik-way

MANUFACTURING CO., INC.
SIOUX FALLS, SOUTH DAKOTA 57106
TELEPHONE 605 - 336-6032